

KONICA MINOLTA



bizhub C361i / C301i / C251i SPECIFICATION & INSTALL GUIDE

RETHINK IT

bizhub C361i / C301i / C251i
Color A3 multifunctional



Giving Shape to Ideas

Table of Contents

Specifications	3
Duty Cycle	5
Environmental Requirements	6
Basic Configuration	6
Space Requirements	7
Accessories	8
Mixed Original Support	27
Standard Paper Tray Support	27
Print Controller (Standard)	27
Network Functions	28
Print Drivers	28
Scanning Function	29
Software Tools	29
Security	30
Paper Considerations	31
Paper Weight Conversion Chart	31
Paper Type Specifications	32
Recommended Paper Stocks	34
How to Build a System	36
Accessory Options	42



bizhub C361i/C301i/C251i SPECIFICATIONS

TYPE	FULL COLOR PRINTER/COPIER SCANNER
Document Holder	Stationary (mirror scanning)
Photoconductor	OPC
Luminous Source	LED light-source illumination
Copying System	Laser electrostatic copy method
Developing System	Dry-2 component developing method
Resolution	Scanning: 600 x 600 dpi Printing: 1200 x 1200 dpi
Document Holder	Types: Sheets, books (2-page spreads), three-dimensional objects Size: Maximum 11" x 17" Weight: 4.5 lb.
Paper	Thin Paper (14 lb. to 15.5 lb.)* Plain Paper (16 lb. to 24 lb.) Plain Paper+ (24.25 lb. to 28 lb.) Thick Paper 1 (28.25 lb. to 32 lb.) Thick Paper 1+ (32.25 lb. to 41.75 lb.) Thick Paper 2 (42 lb. to 55.5 lb.) Thick Paper 3 (55.75 lb. to 68 lb.) Thick Paper 4 (68.25 lb. to 79.75 lb.)** Recycled Paper (16 lb. to 24 lb.) Special Paper (16 lb. to 24 lb.) Letterhead (16 lb. to 24 lb.) Color Paper (16 lb. to 24 lb.) 1-Sided Special Paper (16 lb. to 24 lb.) Banner Paper** (34 lb. to 55.5 lb.) OHP Transparencies**, envelopes***, label sheets**, tabs**, postcards** * Cannot be fed through the bypass tray. ** Can only be fed through the bypass tray; Monochrome copying/printing on transparencies is supported. Color copying/printing on transparencies is NOT supported *** Up to 10 envelopes can be fed from the Bypass Tray. Up to 70 envelopes can be fed from the 1st Tray.
Copy Sizes	1st Tray: 11" x 17" to 8.5" x 11", 5.5" x 8.5", 8" x 13", envelopes* 2nd Tray: 12.25" x 18" to 8.5" x 11", 5.5" x 8.5", 8" x 13"* Bypass Tray: 12" x 18" to 3.5" x 8.5", 12.25" x 18", 4" x 6", 8" x 13"*, Banner Paper * There are six Foolscap sizes: 220 x 330 mm (L), 8.5" x 13.5", 8.5" x 13" (L), 8.25" x 13 (L), 8.12" x 13.25" (L) and 8" x 13" (L). Any one of these sizes can be selected. For details, please consult with your authorized Konica Minolta Service representative.

bizhub C361i/C301i/C251i SPECIFICATIONS

DESCRIPTION	DESCRIPTION																																																																
Paper Tray Capacity	<p>1st Tray and 2nd Tray: Thin Paper/Plain Paper/Recycled Paper/ Special Paper/Letterhead/Color Paper/ 1-Sided Special Paper: 500 sheets; Thick Paper 1/1+/2/3: 150 sheets; Postcard: 200 sheets (1st Tray only) Envelopes: 70 sheets (1st Tray only)</p> <p>Bypass Tray: Plain Paper/Recycled Paper/Special Paper/Letterhead/Color Paper/1-Sided Special Paper: 150 sheets; Thick Paper 1/1+/2/3/4/OHP Transparencies*/Postcards/ Tabs: 20 sheets; Envelopes: 10; Banner Paper/Label Sheets: 10 sheets * Can only be fed through the bypass tray; Color copying/printing on transparencies is supported.</p>																																																																
Copy Exit Tray Capacity	<p>Thin Paper: 100 sheets Plain Paper: 250 sheets Thick Paper: 10 sheets Overhead Projection Transparencies*: 1 sheet</p>																																																																
Warm-Up Time	Color and BW less than 13 (at room temperature/73° F)																																																																
Image Loss Width	<p>Leading edge: 0.166" Trailing edge: 0.118" Rear edge: 0.118" Front edge: 0.118"</p>																																																																
First Copy	<p>C361i: Color - 6.1 sec. or less, B/W - 4.6 sec. or less C301i: Color - 6.7 sec. or less, B/W - 5 sec. or less C251i: Color - 6.9 sec. or less, B/W - 5.2 sec. or less</p>																																																																
Print Speed* (Full Color/B&W) (Simplex/Duplex)	<p>bizhub C361i: Plain paper: 36 sheets/min. Thick 1/Thick1+/Thick 2/Thick 3/Thick 4: 18 sheets/min.</p> <p>bizhub C301i: Plain paper: 30 sheets/min. Thick 1/Thick 1+/Thick 2/Thick 3/Thick 4: 18 sheets/min.</p> <p>bizhub C251i: Plain paper: 25 sheets/min. Thick 1/Thick 1+/Thick 2/Thick 3/Thick 4: 18 sheets/min.</p>																																																																
Print Speed (ppm)*	<table border="1"> <thead> <tr> <th colspan="4">Color/B&W Single sided/plain paper:</th> <th colspan="4">Color/B&W double sided/plain paper:</th> </tr> <tr> <th>Size</th> <th>C361i</th> <th>C301i</th> <th>C251i</th> <th>Size</th> <th>C361i</th> <th>C301i</th> <th>C251i</th> </tr> </thead> <tbody> <tr> <td>11" x 17"</td> <td>18</td> <td>15</td> <td>15</td> <td>11" x 17"</td> <td>18</td> <td>15</td> <td>15</td> </tr> <tr> <td>8.5" x 14"</td> <td>20</td> <td>17</td> <td>17</td> <td>8.5" x 14"</td> <td>20</td> <td>17</td> <td>17</td> </tr> <tr> <td>8.5" x 11"P</td> <td>36</td> <td>30</td> <td>25</td> <td>8.5" x 11"P</td> <td>36</td> <td>30</td> <td>25</td> </tr> <tr> <td>8.5" x 11"L</td> <td>26</td> <td>21</td> <td>21</td> <td>8.5" x 11"L</td> <td>25</td> <td>21</td> <td>21</td> </tr> <tr> <td>5.5" x 8.5"L</td> <td>36</td> <td>30</td> <td>25</td> <td>5.5" x 8.5"L</td> <td>36</td> <td>30</td> <td>25</td> </tr> <tr> <td>8" x 13"L</td> <td>20</td> <td>17</td> <td>17</td> <td>8" x 13"L</td> <td>20</td> <td>17</td> <td>17</td> </tr> </tbody> </table> <p>*Using 1st Tray</p>	Color/B&W Single sided/plain paper:				Color/B&W double sided/plain paper:				Size	C361i	C301i	C251i	Size	C361i	C301i	C251i	11" x 17"	18	15	15	11" x 17"	18	15	15	8.5" x 14"	20	17	17	8.5" x 14"	20	17	17	8.5" x 11"P	36	30	25	8.5" x 11"P	36	30	25	8.5" x 11"L	26	21	21	8.5" x 11"L	25	21	21	5.5" x 8.5"L	36	30	25	5.5" x 8.5"L	36	30	25	8" x 13"L	20	17	17	8" x 13"L	20	17	17
Color/B&W Single sided/plain paper:				Color/B&W double sided/plain paper:																																																													
Size	C361i	C301i	C251i	Size	C361i	C301i	C251i																																																										
11" x 17"	18	15	15	11" x 17"	18	15	15																																																										
8.5" x 14"	20	17	17	8.5" x 14"	20	17	17																																																										
8.5" x 11"P	36	30	25	8.5" x 11"P	36	30	25																																																										
8.5" x 11"L	26	21	21	8.5" x 11"L	25	21	21																																																										
5.5" x 8.5"L	36	30	25	5.5" x 8.5"L	36	30	25																																																										
8" x 13"L	20	17	17	8" x 13"L	20	17	17																																																										
Magnification Ratios (Preset)	<p>1.0 (full size: 1.00 ± 0.5% or less) Enlarge: 121.4%, 129.4%, 154.5%, 200% Reduce: 78.5%, 73.3%, 64.7%, 50.0% Minimal: 93% Stored Zoom Ratios: 3 "Minimal" zoom ratio (90% to 99.9%)</p>																																																																

bizhub C361i/C301i/C251i SPECIFICATIONS

TYPE	DIGITAL PRINTER/COPIER/SCANNER
Multiple Copies	1 to 9,999 sheets
Density Control	Copy Density: Manual Density Adjustment (9 Levels) Background Density: Automatic and Manual Density Adjustments (9 levels)
Power Requirements	120V, 12 A, 60 Hz.
Power Consumption	1.5 kW or less
TEC Value	C361i: .1.5 kWh C301i: .1.2 kWh C251i: 0.9 kWh
Dimensions (with control panel)	24.2" (W) x 27" (D) x 31" (H)
Space requirements*	36.9" (W) x 47.8" (D) x 30.7" (H)
Memory	8 GB (Std.)
Solid State Drive	256 GB (Std.)
Weight	Approx. 185 lb.

* The indicated space requirements represent the space required to pull out the paper tray and the tray extension of the bypass tray and with the DSDF open.

DUTY CYCLE


bizhub C361i/C301i/C251i	<p>C361i: Up to 175,000 C301i: Up to 150,000 C251i: Up to 130,000</p> <p>Maximum monthly copy/print volume supported under standard vendor supplied service. Defines the upper end of the expected customer volume for the device. Customers should consider multiple machines if average monthly volume approaches duty cycle on continual basis.</p>
--------------------------	--



ENVIRONMENTAL REQUIREMENTS

TYPE	DESCRIPTION
Temperature	50° F to 86° F
Humidity	15% to 85%
Noise During Operation (when configured with compatible Finisher)	C361i: 71.6 dB/71.8 dB C301i: 69.5 dB/70.0 dB C251i: 67.8 dB/68.5 dB
Noise During Feeder Operation	C361i: 68.4 dB or less C301i: 67.9 dB or less C251i: 67.5 dB or less
Noise During Standby	32 dB or less
Ozone Emission	Color: 3.0 mg/h B & W: 1.5 mg/h

ELECTRICAL REQUIREMENTS

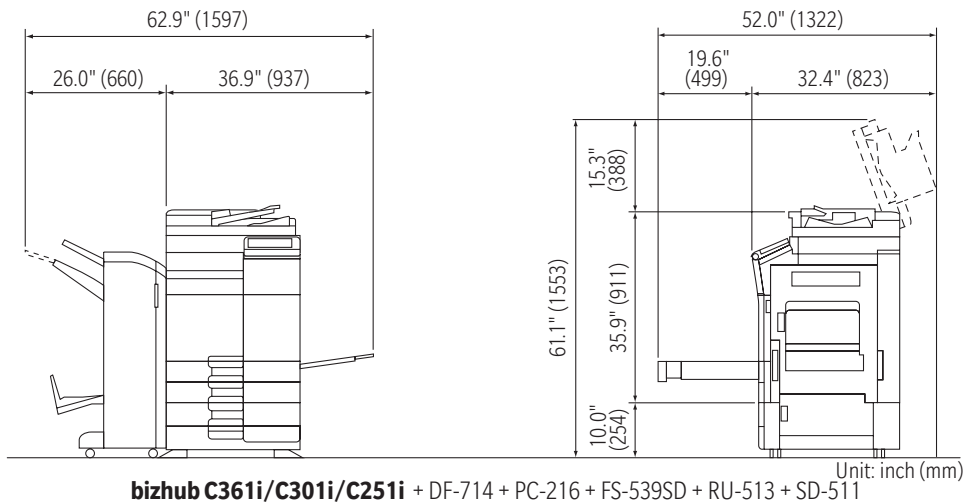
TYPE	DESCRIPTION	
Line Options	Dedicated	NEMA Diagram for 5-15R
Voltage	110 V/120 to 127V	
Amperage	12A	
Cycles	60	
NEMA Part No.	5-15R	
Cord Length	6.6 ft.	

Note: The main electrical outlet must be located within 6.6 feet from the right rear corner of the bizhub C361i/C301i/C251i main unit.

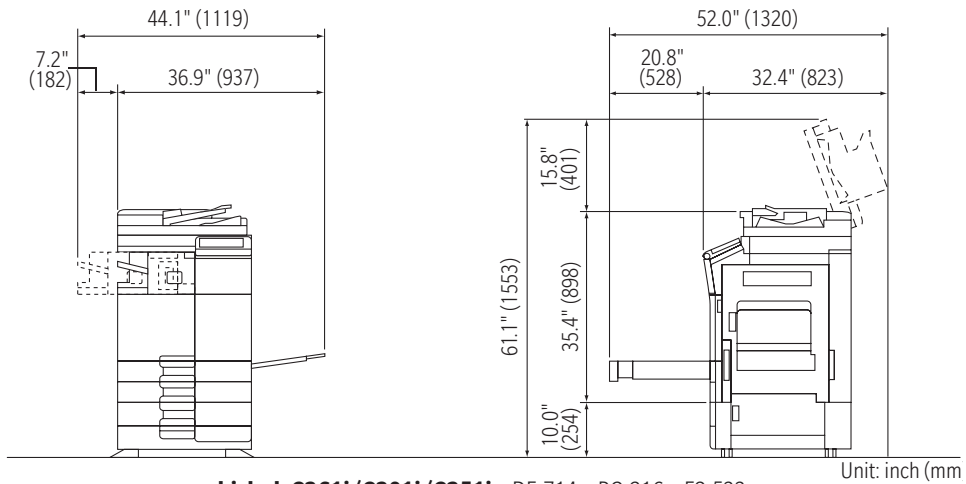
SAMPLE CONFIGURATION



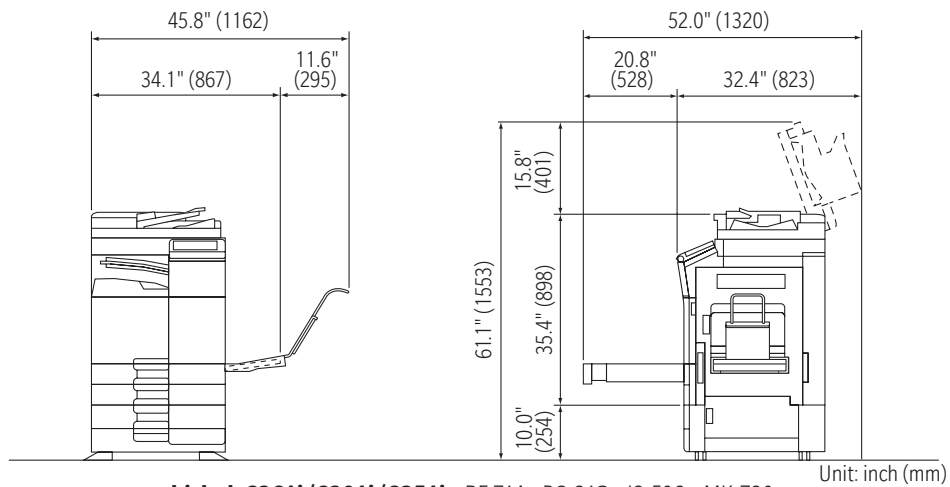
SPACE REQUIREMENTS



bizhub C361i/C301i/C251i + DF-714 + PC-216 + FS-539SD + RU-513 + SD-511



bizhub C361i/C301i/C251i + DF-714 + PC-216 + FS-533



bizhub C361i/C301i/C251i + DF-714 + PC-216 + JS-506 + MK-730

NOTICE: Be sure to allow a clearance of 8 inches (200 mm) or more at the back of this machine for the ventilation duct.

ACCESSORIES

AUTOMATIC DUPLEX UNIT (STANDARD)



Supported Paper Type	Thin Paper (14 lb. to 15.5 lb.) Plain Paper (16 lb. to 24 lb.) Plain Paper+ (24.25 lb. to 28 lb.) Thick Paper 1 (28.25 lb. to 32 lb.) Thick Paper 1+ (32.25 lb. to 41.75 lb.) Thick Paper 2 (42 lb. to 55.5 lb.) Thick Paper 3 (55.75 lb. to 68 lb.) Recycled Paper (16 lb. to 24 lb.) Special Paper (16 lb. to 24 lb.) Letterhead (16 lb. to 24 lb.) Color Paper (16 lb. to 24 lb.)
Supported Paper Size	12.25" x 18" to 5.5" x 8.5"; 4" x 6"; SRA3; 8" x 13"; Custom: (W) 3.9" to 12.625" x (L) 5.8" to 18"
Power Requirements	Supplied from main unit * There are six Foolscap sizes: 220 x 330 mm (L), 8.5" x 13.5", 8.5" x 13" (L), 8.25" x 13 (L), 8.12" x 13.25" (L) and 8" x 13" (L). Any one of these sizes can be selected. For details, please consult with your authorized Konica Minolta Service representative.

DF-714 DUAL SCANNER DOCUMENT FEEDER (OPTIONAL)



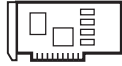
Type	Single Pass Duplex Document Feeder
Supported Paper Size	1-Sided/2-Sided Originals/Mixed Originals: 11" x 17" to 5.5" x 8.5"
Supported Paper Weight	Single-Sided/Double-Sided: 9.25 lb. bond to 44 lb. bond Mixed Original: 13.5 lb. bond to 34 lb. bond 1-Sided Thin Paper (9.25 lb. to 13.063 lb.) 1-Sided Plain Paper (13.25 lb. to 44 lb.) 2-Sided Plain Paper (13.25 lb. to 44 lb.) Mixed Original Plain Paper (13.25 lb. to 34 lb.)
Paper Capacity	Max. 100 sheets (21.25 lb.) (Single-Sided/Double-Sided Originals)
Scan Speed	100 images/min (one-sided @ 200 dpi) (B&W/Color) 200 images/min (double-sided @ 200 dpi) (B&W/Color) 55 images/min (one-sided @ 600 dpi) (B&W/Color) 110 images/min (double-sided @ 600 dpi) (B&W/Color)
Power Requirements	Supplied from main unit.
Max. Power Consumption	74.5 W or less
Dimensions (W x D x H)	24.1" x 19.8" x 5.6"
Weight	Approximately 27 lb

DF-632 REVERSING AUTOMATIC DOCUMENT FEEDER (OPTIONAL)

Type	Reversing Automatic Document Feeder
Supported Paper Size	1-Sided/2-Sided Originals/Mixed Originals: 11" x 17" L to 5.5" x 8.5" P
Supported Paper Weight	Single-Sided/Double-Sided: 9.25 lb bond to 34 lb bond Mixed Original: 13.5 lb bond to 34 lb bond 1-Sided Thin Paper (9.25 lb to 13.063 lb) 1-Sided Plain Paper (13.25 lb to 34 lb) 2-Sided Plain Paper (13.25 lb to 34 lb) Mixed Original Plain Paper (13.25 lb to 34 lb)
Paper Capacity	Max. 100 sheets (21.25 lb.) (Single-Sided/Double-Sided Originals)
Scan Speed	80 images/min (one-sided @ 200 dpi) (B&W/Color) 37 images/min (double-sided @ 200 dpi) (B&W/Color) 55 images/min (one-sided @ 600 dpi) (B&W/Color) 26 images/min (double-sided @ 600 dpi) (B&W/Color)
Power Requirements	Supplied from main unit.
Max. Power Consumption	60.0 W or less
Dimensions (W x D x H)	24.1" x 19.8" x 5.6"
Weight	Approximately 19.8 lb

ACCESSORIES

FK-514 FAX KIT



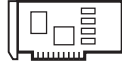
Number of Stored Pages	10,000 Pages (approx. 700 characters per page when 8.5" x 11" document is stored using fine resolution)
Number of Fax Lines	1 Fax Line (Standard); Add second FK-514 Fax Kit for dual line fax capabilities. (Supports Fax Line 1 & 2); See FK-515 for Lines 3 & 4)
Communication	ECM/Super G3
Compatible Lines	PSTN, PBX
Scanning Line Density	Ultra Fine: 600 x 600 dpi Super Fine: 16 dot/mm x 15.4 line/mm, 400 x 400 dpi Fine: 8 dot/mm x 7.7 line/mm, 200 x 200 dpi Normal: 8 dot/mm x 3.85 line/mm
Modem Speed	2.4 kbps-33.6 kbps
Compression	MH/MR/MMR/JBIG
Scanning/(Sending) Paper Size	Original Glass: Max. 11" x 17" ADF: 11" x 39" (Normal, Fine, Super Fine) 11" x 17" (Ultra Fine, Manual TX)
Recording Paper Size	11" x 17" to 5.5" x 8.5"
Transmission Speed	Less than 2 sec. (A4, V.34, 33.6 Kbps, JBIG)
Scan Speed	2 sec. (Letter/Fine Mode)
Number of Abbr. Dial	2,000
Number of Program Dial	400
Number of Group Dial	100 (Up to 500 destinations per group)
Sequential Multiple	Max. 600 Station Transmission
Transmitting Functions	2-in-1 TX, Mixed Original, F-Code Transmission, Frame Erase Transmission, Sharpness, Header/Footer, Memory Transmission, Quick Memory Transmission, Timer Transmission, Incomplete Transmission Hold, Manual Transmission, Confidential Transmission, Password Transmission, Polling Transmission, Bulletin Function, Relay Transmission, Fax Forwarding Function, Overseas TX, V.34 OFF, ECM OFF
Receiving Functions	Duplex Print (RX), Manual Reception, Confidential Reception, Memory Reception, Polling Reception, Bulletin Function, Fax Forwarding (to any destination stored in the Address Book), TSI Routing (to any destination stored in the Address Book).

OC-511 ORIGINAL COVER

Type	Original Cover/Platen Cover
-------------	-----------------------------

ACCESSORIES

FK-515 FAX KIT



Number of Stored Pages	10,000 Pages (including all Scan/Box/Printer/Fax Documents)
Number of Fax Lines	Add 1st FK-515 for 3rd Fax Line (Optional); Add 2nd FK-515 for 4th Fax Line (Optional); Must add two FK-514 Fax Kits first for single and dual line capabilities before you can add lines 3 and 4. FK-515 requires MK-742 Mount Kit (only one MK-742 Mount Kit required)
Communication	ECM/Super G3
Compatible Lines	PSTN, PBX
Scanning Line Density	Ultra Fine: 600 x 600 dpi Super Fine: 16 dot/mm x 15.4 lines/mm, 400 x 400 dpi Fine: 8 dot/mm x 7.7 lines/mm, 200 x 200 dpi Normal: 8 dot mm x 3.85 lines, 100 x 100 dpi
Modem Speed	2.4kbps-33.6kbps
Compression	MH/MR/MMR/JBIG
Scanning (Sending) Paper Size	Original Glass: Max. 11" x 17" ADF: 11" x 39" (Standard, Fine, Super Fine) 11" x 17" (Standard, Fine, Super Fine)
Recording Paper Size	11" x 17"
Transmission Speed	Less than 2 sec. (V.34, JBIG)
Scan Speed	1 sec. (Letter/Fine Mode)
Number of Abbr. Dial	2,000
Number of Program Dial	400
Number of Group Dial	100 (Up to 500 destinations per group)
Sequential Multiple Station Transmission	Max. 600 605 (500 Abbreviated Dials + 100 Manual Dials + 5 Manual Email Addresses)
Transmitting Functions	Mixed Original, F-Code Transmission, Frame Erase Transmission, Sharpness, Header/ Footer, Memory Transmission, Quick Memory Transmission, Timer Transmission, Incomplete Transmission Hold, Manual Transmission, Confidential Transmission, Password Transmission, Polling Transmission, Bulletin Function, Fax Forwarding Function, Overseas TX, V.34 OFF, ECM OFF
Receiving Functions	Duplex Print (RX), Manual Reception, Confidential Reception, Memory Reception, Polling Reception, TSI Routing (to any destination stored in the Address Book), Fax Forwarding (to any destination stored in the Address Book)



ACCESSORIES

MK-742 MOUNT KIT



Type	Internal Component
Function	Required for installation of one or two FK-515 Fax Kit(s) for three or four fax lines. (Only one MK-742 required.)

FS-539 FLOOR FINISHER* (50 SHEETS) *NOTE: INSTALLATION OF THE FS-539, OR FS-539SD REQUIRES THE RELAY UNIT THAT IS APPROPRIATE FOR THE ENGINE



Type	Floor Finisher (FS-539 also includes a manual staple function)
Output Trays	Output Tray 1, Output Tray 2, Folding Output Tray (Top of RU unit)
Supported Paper Type	Output Tray 1 & Output Tray 2: Thin Paper (14 lb. to 15 lb.), Plain Paper (16 lb. bond to 24 lb. bond), Recycled Paper (16 lb. to 24 lb.), Thick Paper 1/1+/2/3 (24.25 lb. bond to 79.75 lb. bond), OHP Transparencies, Postcards*, Envelopes*, Label Sheets*, Letterhead*, Tabs*, Banner Paper* Staple Settings: Thin Paper (14 lb. to 15 lb.), Plain Paper (16 lb. bond to 23.94 lb. bond), Recycled Paper (16 lb. to 24 lb.), Thick Paper 1 (24.25 lb. bond to 32 lb. bond), Thick Paper 1+ (32.25 lb. to 41.75 lb.), Thick Paper 2 (42 lb. to 55.5 lb.) * Fed into Output Tray 1
Supported Paper Size	Output Tray 1: 12.25" x 18", 11" x 17" to 5.5" x 8.5"/L/P Output Tray 2: Group/Sort: 12.25" x 18", 11" x 17", 5.5" to 8.5"/L/P Offset Group/Offset Sort: 12.25" x 18", 11" x 17" to 5.5" to 8.5", SRA3 Width: 7.188" to 12.625"; Length 5.875" to 18" Staple: 11" x 17" to 7.25" x 10.5"/L/P Width: 7.188" to 11.688"; Length 5.875" to 17" Folding Output Tray: 12.25" x 18", 11" x 17" to 5.5" x 8.5"/L/P Width: 3.5" to 12.5"; Length 5.5" to 18"
Mode	Non-Sort, Sort, Group, Sort/Offset, Group/Offset, Sort and Staple

ACCESSORIES

FS-539 FLOOR FINISHER* (50 SHEETS) CONT

Stacking Capacity	<p>Output Tray 1: Thin Paper (14 lb. to 15.5 lb.), Plain Paper (16 lb. to 24 lb.): 200 sheets. Thick Paper (24.25 to 79.75 lb.), OHP Transparencies, Postcards, Envelopes or Label Sheets, Letterheads, Tabs: 20 sheets</p> <p>Output Tray 2 – Group/Sort Mode: Plain Paper (16 lb. to 24 lb.): 3,000 sheets of 8.5" x 11" or smaller, or 1,500 sheets of 8.5" x 14" or larger; or 500 sheets of 5.5" x 8.5" or smaller.</p> <p>Thick Paper (24.25 to 79.75 lb.), OHP Transparencies, Postcards, Envelopes, Labels, Letterheads, Tabs: 20 sheets</p> <p>2nd Tray – Offset Group/Offset Sort: 3,000 sheets (8.5" x 11" or smaller); 1,500 sheets (8.5" x 14" or larger); 500 sheets (5.5" x 8.5" or larger)</p> <p>Thin Paper (14 lb. to 15 lb.) Plain Paper (16 lb. to 24 lb.) Recycled Paper (16 lb. to 24 lb.) Thick Paper (24.25 lb. to 79.75 lb.), OHP Transparencies, Postcard, Envelope, Label sheets, Letterhead, Tabs: 20 sheets</p> <p>Staple Thin Paper (14 lb. to 15 lb.): 50 sheets Plain Paper (16 lb. to 24 lb.): 50 sheets Recycled Paper (16 lb. to 24 lb.): 50 sheets Thick Paper (24.25 lb. to 32 lb.): 30 sheets Thick Paper 1+ (32.25 lb. to 41.75 lb.): 30 sheets Thick Paper 2 (42 lb. to 55.5 lb.): 20 sheets</p> <p>2–9 Sheets: 100 Sets 10–20 Sheets: 50 Sets 21–30 Sheets: 30 Sets 31–40 Sheets: 25 Sets 41–50 Sheets: 20 Sets</p> <p>Folding Output Tray: 100 sheets Thin Paper (14 lb. to 15.5 lb.) Plain Paper (16 lb. to 24 lb.) Recycled Paper (16 lb. to 24 lb.) Thick Paper (24.25 lb. to 79.75 lb.): 20 sheets</p>
Staple Mode	Paper Sizes: 8.5" x 11" to 11" x 17"; Corner, 2 Position (Side, Top), Plus manual corner staple
Manual Staple Mode	Media Weight: 14 to 55 lb. Stapling capacity: up to 50 sheets (24 lb. paper)
Available Options	PK-524 Punch Kit (for FS-539/FS-539SD) 2/3 hole punch
Power Requirements	Supplied from Main Unit
Max. Power Consumption	Less than 56 W
Dimensions (W x D x H)	11.4" x 25.3" x 40.3" when tray is pulled out; 25.9" (W) when tray is not pulled out
Weight Approx.	68 lb.
Consumables	SK-602 Staples (5,000 Staples x 3)

ACCESSORIES

FS-539SD FLOOR FINISHER* COMBINATION OF FS-539 (SEE SPECS LISTED ABOVE) AND SADDLE STITCH UNIT (SPECS LISTED BELOW)



Number of bins	1 Tray
Paper types	Thin Paper (14 lb. to 15 lb.), Plain Paper (15 to 24 lb.) Thick Paper 1/1+2 (24.25 to 55.5 lb.)* *Can only be used as a cover page.
Paper sizes	12.25" x 18"L, 11" x 17", 8.5" x 14" L, 8.5" x 11"
Number of Center Stapled or Half-Folded Sheets	Plain Paper (15 to 24 lb.) 1-3 Sheets: 20 Sets 4-10 Sheets: 10 Sets 11-20 Sheets: 5 Sets
Number of Tri-Folded Sheets (Letter Only)	1 Sheet: 30 Sets 2-3 Sheets: 10 Sets
Staple mode	Booklet, 2-point staple
Maximum staple sheet	20 sheets: (19 sheets/14 to 24 lb.) + (1 sheet/13 to 55.5 lb.)
Dimensions (W x D x H)	8.3" x 21.9" x 21.6"
Weight	117 lb.
Consumables	SK-602 (5,000 x 3 pkg/case)
Power requirements	Supplied from finisher * NOTE: The Saddle Stitcher is not available as a separate accessory. Please refer to engine specifications for additional

RU-513 RELAY UNIT (REQUIRED FOR FS-539 OR FS-539SD)



Type	Installed into the Main Body
Power Requirements	Supplied by Main Engine
Dimensions (W x D x H)	18.0" x 21.9" x 6.0"
Weight	Approx. 9 lb.

PK-524 PUNCH KIT (FOR FS-539/FS-539SD)



Applicable	FS-539/FS-539SD
Number of Holes	2 or 3 holes
Supported Paper Weights	Thin Paper (14 lb. to 15 lb.), Plain Paper (16 lb. to 24 lb.) Thick Paper (24.25 lb. to 79.75 lb.)
Supported Paper Sizes	2-Hole Punch Setting: 11" x 17" to 5.5" x 8.5", 8" x 13" 3-Hole Punch Setting: 11" x 17" to 8.5" x 11", 7.25" x 10.5"
Power Requirements	Supplied from Finisher FS-539
Dimensions (W x D x H)	2.4" x 19.4" x 5.6"
Weight Approx.	Approx. 4 lb.

ACCESSORIES

FS-533 FINISHER



Type	Inner Staple Finisher
Output Trays	Output Tray 1
Supported Paper Types	Group/Sort: Thin Paper (14 lb. to 15 lb.), Plain Paper (16 lb. bond to 24 lb. bond), Recycled Paper (16 lb. to 24 lb.), Thick Paper (24.25 lb. bond to 79.75 lb. bond), OHP Transparencies, Postcards, Envelopes, Label Sheets, Letterhead, Tabs, Banner Paper. Offset Group, Offset Sort: Thin Paper (14 lb. to 15 lb.), Plain Paper (16 lb. bond to 24 lb. bond), Recycled Paper (16 lb. to 24 lb.), Thick Paper (24.25 lb. bond to 79.75 lb. bond) Staple Settings: Thin Paper (14 lb. to 15 lb.), Plain Paper (16 lb. bond to 23.94 lb. bond), Recycled Paper (16 lb. to 24 lb.), Thick Paper (24.25 lb. bond to 55.25 lb. bond)
Mode	Group, Sort, Offset Group, Offset Sort, Staple
Supported Paper Size	Group/Sort: 12.25" x 18"L, 11" x 17"L to 5.5" x 8.5"L/P, 4" x 6"L, SRA3L Width: 3.56" to 12.625"; Length: 5.5" to 47.25" Offset Group/Offset Sort: 12.25" x 18"L, 11" x 17"L, 8.5" x 11"L/P, 7.25" x 10.5"P Width: 8.25" to 11.69"; Length: 7.17" x 17" Staple: 11" x 17"L, 8.5" x 14"L, 8.5" x 11"L/P, 7.25" x 10.5"P Width: 8.25" to 11.69"; Length: 7.17" x 17"
Stacking Capacity	Group, Sort, Offset Group, Offset Sort: Thin Paper (14 lb. to 15 lb.), Plain Paper (16 lb. bond to 24 lb. bond), Recycled Paper (16 lb. to 24 lb.): 500 sheets of 8.5" x 11" or smaller; or 250 sheets of 8.5" x 14" or larger Thick Paper (24.25 lb. bond to 79.75 lb. bond), OHP Transparencies, Postcards, Envelopes, Label Sheets, Letterhead, Tabs, Banner Paper: 10 sheets Staple: Thin Paper (14 lb. to 15 lb.), Plain Paper (16 lb. bond to 24 lb. bond), Recycled Paper (16 lb. to 24 lb.): 50 sheets of 8.5" x 11" or smaller; or 30 sheets of 8.5" x 14" or larger Thick Paper (24.25 lb. bond to 55.5 lb. bond): 2 sheets
Staple Mode	Corner Front / Back 2-point
Available Options	PK-519 Punch Kit (2-/3-hole Punch)
Power Requirements	Supplied from Main Unit
Max. Power Consumption	Less than 40W
Dimensions (W x D x H)	18.6" x 23" x 7.7"
Weight Approx.	27 lb.
Consumables	SK-602 Staples (5,000 Staples x 3)

PK-519 PUNCH KIT



Applicable	Finisher FS-533
Number of holes	2 or 3 holes
Supported Paper Weight	Thin Paper (14 lb. to 15.5 lb.), Plain Paper (16 lb. to 24 lb.), Thick paper (24.25 lb. bond to 79.75 lb. bond)
Supported Paper Size	2-hole Punch Setting: 11" x 17", 8.5" x 14", 8.5" x 11" 3-hole Punch Setting: 11" x 17", 8.5" x 11"
Power requirements	Supplied from Finisher FS-533
Dimensions (W x D x H)	4.33" x 19.03" x 8.0"
Weight Approx.	Approx. 7 lb.

ACCESSORIES

JS-506 JOB SEPARATOR TRAY



Output Tray Mode	Output Tray 1, Output Tray 2 Group, Sort, Offset Group*, Offset Sort* * Fed into Output Tray2
Supported Paper Types	Group/Sort: Thin Paper (14 lb. to 15.5 lb.), Plain Paper (16 lb. bond to 24 lb. bond), Recycled Paper (16 lb. to 24 lb.), Thick Paper (24.25 lb. bond to 79.75 lb. bond), OHP Transparencies, Postcards*, Envelopes, Label Sheets, Letterhead, Tabs*, Banner Paper*. Offset Group, Offset Sort: Thin Paper (14 lb. to 15.5 lb.), Plain Paper (16 lb. bond to 24 lb. bond), Recycled Paper (16 lb. to 24 lb.), Thick Paper (24.25 lb. bond to 79.75 lb. bond) * Fed into Output Tray 2
Supported Paper Size	Output Tray 1: 12.25" x 18"L, 11" x 17"L to 5.5" x 8.5"L/P, SRA3L Width: 3.56" to 12.625"; Length: 5.5" to 18" Output Tray 2: Group/Sort: 12.25" x 18"L, 11" x 17"L to 5.5" x 8.5"L/P, 4" x 6"L, SRA3L Width: 3.56" to 12.625"; Length: 5.5" to 47.25" Offset Group/Offset Sort: 11" x 17"L, to 7.25" x 10.5"L/P Width: 7.17" to 12.25"; Length: 5.8" to 18"
Stacking Capacity	Output Tray 1: Thin Paper (14 lb. to 15.5 lb.), Plain Paper (16 lb. bond to 24 lb. bond), Recycled Paper (16 lb. to 24 lb.): 100 sheets Output Tray 2: Group/Sort: Thin Paper (14 lb. to 15.5 lb.), Plain Paper (16 lb. bond to 24 lb. bond), Recycled Paper (16 lb. to 24 lb.): 150 sheets; Thick Paper (24.25 lb. bond to 79.75 lb. bond), Transparency, Postcard, Label sheets: 20 Sheets; Envelope: 10 Sheets; Banner Paper: 1 Sheet Offset Group/Offset Sort: Thin Paper (14 lb. to 15.5 lb.), Plain Paper (16 lb. bond to 24 lb. bond), Recycled Paper (16 lb. to 24 lb.): 150 sheets; Thick Paper (24.25 lb. bond to 79.75 lb. bond): Not specified
Power Requirements	Supplied from Main Unit
Max. Power Consumption	Less than 24W
Dimensions (W x D x H)	19.4" x 18.5" x 8.9"
Weight Approx.	3.0 lb.

OT-513 OUTPUT TRAY (STANDARD)



Number of Bins	Exit Tray (1)
Paper Capacity	250 Sheets NOTE: OT-513 supports banner printing when installed on C361i/C301i/C251i

PC-116 PAPER FEED CABINET



Type	1 x 500 sheet universal drawer + storage
Supported Paper Types	Thin Paper (14 lb. to 15.5 lb.), Plain Paper (16 lb. bond to 24 lb. bond), Recycled Paper (16 lb. to 24 lb.), Single Side Only Paper (16 lb. bond to 24 lb. bond), Special Paper (16 lb. bond to 24 lb. bond), Letterhead (16 lb. bond to 24 lb. bond), Colored Paper (16 lb. bond to 24 lb. bond), Thick Paper 1 (24.25 lb. bond to 32 lb. bond), Thick Paper 1+ (32.25 lb. bond to 41.75 lb. bond), Thick Paper 2 (42 lb. bond to 55.5 lb. bond), Thick Paper 3 (55.75 lb. bond to 68 lb. bond)
Supported Paper Size	11" x 17" (L) to 8.5" x 11" (L/P), 5.5" x 8.5" (L), 8" x 13" (L)* * There are six Foolscap sizes: 220 x 330 mm, 8.5" x 13.5", 8.5" x 13", 8.25" x 13, 8.12" x 13.25" and 8" x 13". Only one of these sizes can be selected. For details, please consult with your authorized Konica Minolta Service representative.
Paper Capacity	Tray 3: Thin paper, Plain paper, Recycled paper, 1-sided Special paper, Special paper, Letterhead, Colored paper: 500 sheets, Thick 1, Thick 1+, Thick 2, Thick 3: 150 sheets
Power Requirements	Supplied from Main Unit
Max. Power Consumption	Less than 15W
Dimensions (W x D x H)	24.2" x 25.7" x 11.6"
Weight Approx.	49 lb.

ACCESSORIES

PC-216 PAPER FEED CABINET



Type	2 x 500 sheet universal drawers
Supported Paper Types	Thin Paper (14 lb. to 15.5 lb.), Plain Paper (16 lb. bond to 24 lb. bond), Recycled Paper (16 lb. to 24 lb.), Single Side Only Paper (16 lb. bond to 24 lb. bond), Special Paper (16 lb. bond to 24 lb. bond), Letterhead (16 lb. bond to 24 lb. bond), Colored Paper (16 lb. bond to 24 lb. bond), Thick Paper 1 (24.25 lb. bond to 32 lb. bond), Thick Paper 1+ (32.25 lb. bond to 41.75 lb. bond), Thick Paper 2 (42 lb. bond to 55.5 lb. bond), Thick Paper 3 (55.75 lb. bond to 68 lb. bond)
Supported Paper Size	11" x 17" (L) to 8.5" x 11" (L/P), 5.5" x 8.5" (L), 8" x 13" (L)* * There are six Foolscap sizes: 220 x 330 mm (L), 8.5" x 13.5", 8.5" x 13" (L), 8.25" x 13" (L), 8.12" x 13.25" (L) and 8" x 13" (L). Any one of these sizes can be selected. For details, please consult with your authorized Konica Minolta Service representative.
Paper Capacity	Tray 3: Thin paper, Plain paper, Recycled paper, 1-sided Special paper, Special paper, Letterhead, Colored paper: 500 sheets, Thick 1, Thick 1+, Thick 2, Thick 3: 150 sheets Tray 4: Thin paper, Plain paper, Recycled paper, 1-sided Special paper, Special paper, Letterhead, Colored paper: 500 sheets, Thick 1, Thick 1+, Thick 2, Thick 3: 150 sheets
Power Requirements	Supplied from Main Unit
Max. Power Consumption	Less than 15W
Dimensions (W x D x H)	24.2" x 25.7" x 11.6"
Weight Approx.	53 lb.

PC-416 PAPER FEED CABINET



Type	Large Capacity Cassette
Supported Paper Types	Thin Paper (14 lb. to 15.5 lb.), Plain Paper (16 lb. bond to 24 lb. bond), Recycled Paper (16 lb. to 24 lb.), Single Side Only Paper (16 lb. bond to 24 lb. bond), Special Paper (16 lb. bond to 24 lb. bond), Letterhead (16 lb. bond to 24 lb. bond), Colored Paper (16 lb. bond to 24 lb. bond), Thick Paper 1 (24.25 lb. bond to 32 lb. bond), Thick Paper 1+ (32.25 lb. bond to 41.75 lb. bond), Thick Paper 2 (42 lb. bond to 55.5 lb. bond), Thick Paper 3 (55.75 lb. bond to 68 lb. bond)
Supported Paper Size	8.5" x 11"P
Paper Capacity	Thin paper, Plain paper, Recycled paper, 1-sided Special paper, Special paper, Letterhead, Colored paper: 2,500 sheets; Thick 1, Thick 1+, Thick 2, Thick 3: 1,000 sheets
Power Requirements	Supplied from Main Unit
Max. Power Consumption	Less than 45W
Dimensions (W x D x H)	24.2" x 25.7" x 11.6"
Weight Approx.	51 lb.

PC-417 PAPER FEED CABINET



Type	Large Capacity Cassette
Supported Paper Types	Thin Paper (14 lb. to 15.5 lb.), Plain Paper (16 lb. bond to 24 lb. bond), Recycled Paper (16 lb. to 24 lb.), Single Side Only Paper (16 lb. bond to 24 lb. bond), Special Paper (16 lb. bond to 24 lb. bond), Letterhead (16 lb. bond to 24 lb. bond), Colored Paper (16 lb. bond to 24 lb. bond), Thick Paper 1 (24.25 lb. bond to 32 lb. bond), Thick Paper 1+ (32.25 lb. bond to 41.75 lb. bond), Thick Paper 2 (42 lb. bond to 55.5 lb. bond), Thick Paper 3 (55.75 lb. bond to 68 lb. bond)
Supported Paper Size	8.5" x 11"P, 5.5" x 8.5"
Paper Capacity	Thin paper, Plain paper, Recycled paper, Special paper, Letterhead, Colored paper: 2,500 sheets; Thick 1, Thick 1+, Thick 2, Thick 3: 1,000 sheets
Power Requirements	Supplied from Main Unit
Max. Power Consumption	Approx. 26W
Dimensions (W x D x H)	24.2" x 27.1" x 12.0"
Weight Approx.	Approx. 95 lb.

ACCESSORIES

DK-516 COPY DESK



Type	Storage drawer only
Function	Stores printing materials such as paper or toner. Required when additional paper drawers are not installed, to bring the device to operational height
Dimensions (W x D x H)	24.2" x 25.7" x 11.6"
Weight Approx.	Approx. 46 lb.



ACCESSORIES

LU-302 LARGE CAPACITY UNIT



Type	Large capacity cassette
Supported Paper Type	Thin Paper (14 lb. to 15.688 lb.) Plain Paper (16 lb. bond to 24 lb. bond) Thick Paper 1 (24.25 lb. bond to 32 lb. bond) Thick Paper 1+ (32.25 lb. bond to 41.75 lb. bond) Thick Paper 2 (42 lb. bond to 55.5 lb. bond) Thick Paper 3 (55.75 lb. bond to 68 lb. bond)
Supported Paper	8.5" x 11", A4
Paper Capacity	Plain Paper: 3,000 sheets Thick Paper 1: 2,500 sheets (24.25 lb. bond to 32 lb. bond) Thick Paper 1+: 1,750 sheets (32.25 lb. bond to 41.75 lb. bond) Thick Paper 2: 1,550 sheets (42 lb. bond to 55.5 lb. bond) Thick Paper 3: 1,300 sheets (55.75 lb. bond to 68 lb. bond)
Power Requirements	Supplied from main unit
Max. Power Consumption	22 W or less
Dimensions (W x D x H)	14.1" x 21.9" x 15.9"
Weight Approx.	Approx. 40 lb.

KP-102 10-KEY PAD



Type	10-Key Pad
Function	Provides hard keys for entering numerical values and supports Voice Guidance function available with optional LK-104 v3 i-Option License Kit. Meets Section 508 Accessibility requirements.

EXTERNAL KEYBOARD



Type	QWERTY Keyboard
Function	Computer-type keyboard for alphanumeric data entry. Requires KH-102 Keyboard Holder and EK-608 or EK-609 USB Interface Kit.

ACCESSORIES

AU-204H MAGNETIC STRIPE CARD READER



Dimensions (W x D x H)	1.3" x 1.2" x 3.9"
Weight	4.5 oz.
Power Supply	Supplied from USB Port
System Conditions (operating mode)	Ambient Temperature: 40° to 158° F Humidity: 10% to 90%
Transmit Frequency	3-60 i.p.s.
Certifications	ISO 7810 and ISO 7811/AAMVA
Card Type Compatibility	All magnetic stripe cards NOTE: WT-506 required for AU-204H Magnetic Stripe Card Reader.

YSOFT MFX CARD READER



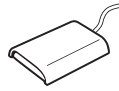
Interface	USB 2.0
Dimensions (W x D x H)	Approx. 3.4" x 2.0" x 0.8"
Weight	Approx. 0.16 lb.
Max. Power Consumption	500 mA
System Conditions	Ambient temperature: 41° to 95° (F) (during operation) Humidity: 20% to 85% (No dew condensation) NOTE: WT-506 Working Table or MK-735 Mount Kit (internal mount) required.

HID FINGER PRINT READER 5300

Dimensions (W x D x H)	Approx. 3.4" x 2.1" x 1.2"
Weight	Approx. 0.54 lb.
Power Supply	Supplied from USB Port
System Conditions	Ambient Temperature: 50° to 131° F (operating mode) Humidity: 0% to 90% NOTE: WT-506 Working Table required.
Certifications	ISO 7810 and ISO 7811/AAMVA
Card Type Compatibility	All magnetic stripe cards NOTE: WT-506 Working Table required for AU-204H Magnetic Stripe Card Reader.

ACCESSORIES

AU-205H GEN2 IC CARD READER



Dimensions (W x D x H)	2.8" x 3.7" x 0.6"
Weight	0.3 lb.
Power Supply	Supplied from USB Port
System Conditions	Ambient Temperature: 31° to 150° F (operating mode) Humidity: 5% to 95%
Card/Protocols	HID PROX, HID Indala® Prox, EM Prox Low Frequency (125 kHz)
Card/Protocols High Frequency (13.5 MHz)	CCID: MIFARE Classic™ 1K/4K, Ultra Light, Ultra Light C, Plus, MIFARE DESFire™ 0.6, MIFARE DESFire™ EV1, IC Card, iClass SE/SR®, MIFARE SE™, DESFire EV1 SE, T=CL, ISO 14443 A with up to 848 kbps transmission rate (depending on card*), ISO 15693 with up to 26 kbps transmission rate (depending on card) NOTE: WT-506 or MK-735 Mount Kit (internal mount) required. *424 kbps default rate, 848 kbps configurable through web interface.

AU-211P CAC/PIV SOLUTION WITH CERTIFICATE



Dimensions (W x D x H)	2.8" x 2.8" x 0.4"
Weight	0.13 lbs.
Power Supply	Supplied from USB Port
System Conditions	0° to 122° F (operating mode)
Interface	Full Speed USB (12 Mbps)
Connector Shape	USB A Type Connector
Compatible Card	PKI-C-Card (PIV, CAC)
	NOTE: WT-506 required. Please contact your local Government Account Manager for additional information.

ACCESSORIES

WT-506 WORKING TABLE



Type	External Table
Function	Holds YSoft Card Reader, HID Finger Print Reader 5300, AU-201H HID Proximity Card Reader, AU-202H HID iClass Reader, AU-204H Magnetic Stripe Card Reader, AU-205H IC Card Reader or AU-211P CAC/PIV Solution; Can be used as a place holder for originals and/or output.
Dimensions (W x D x H)	18.3" x 16.3" x 1.5"

EK-608 USB HOST/LOCAL INTERFACE



Type	USB Interface and USB Cable
Function	Required to connect i-Option LK-104v3 Voice Guidance License Kit. Recommended for connection of External Keyboard. EK-609 may be substituted if Bluetooth connectivity is also desired.

EK-609 USB HOST/LOCAL INTERFACE WITH BLUETOOTH



Type	USB Interface and USB Cable
Function	Supports Bluetooth connectivity. Required to connect i-Option LK-104v3 Voice Guidance License Kit. Recommended for connection of External Keyboard. EK-608 may be substituted if Bluetooth connectivity is not needed.

MK-735 MOUNT KIT



Type	Internal Component
Function	Required if you wish to install the AU-205H internally in the device.

ACCESSORIES

UK-221 WLAN ADAPTER



Type	Internal Component
Function	Provides wireless connection for printing, scanning and authentication. Can be configured to serve as access point.

FS-P04 OFF-LINE STAPLER

Type	Stapling (off-line)
Staple capacity	20 sheets (90 gsm)
Power supply	From device
Staples	SK-501
Dimensions (WxHxD)	4.3" x 4.6" x 2.9"
Weight	Approx. 2 lb
Function	Provides finishing capabilities. Can be installed on working table WT-506 or separately.

ACCESSORIES

LK-104 V3 i-OPTION LICENSE KIT

Type	License Key
Function	Voice Guidance

LK-106 i-OPTION LICENSE KIT

Type	License Key
Function	Supports Bar Code Font Printing

LK-107 i-OPTION LICENSE KIT

Type	License Key
Function	Supports Unicode Font Printing

LK-108 i-OPTION LICENSE KIT

Type	License Key
Function	Supports OCR Font Printing

LK-110 V2 i-OPTION LICENSE KIT

Type	License Key
Function	OOXML file conversion and Searchable PDF

LK-111 i-OPTION LICENSE KIT

Type	License Key
Function	Provides ThinPrint client support

LK-116 i-OPTION LICENSE KIT

Type	License Key
Function	Provides BitDefender® antivirus real time scanning of incoming and outgoing data.

ACCESSORIES

SC-509 SECURITY KIT (Copy Guard/Password Copy Protection)

Type	Embedded Type
Function	Prevents printing of Copy Protected documents Please note that two SC-509 Copy Guard Kits are required to apply the Copy Guard/password protection to each size of the originals when both sides are scanned in one pass.





MIXED ORIGINAL SUPPORT

Document size ²	MAXIMUM DOCUMENT WIDTH ¹					
	11" x 17" landscape	8.5" x 11" portrait	8.5" x 14" landscape	8.5" x 11" landscape	5.5" x 8.5" portrait	5.5" x 8.5" landscape
11" x 17" (L)	•	•	x	x	x	x
8.5" x 11" (P)	•	•	x	x	x	x
8.5" x 14" (L)	•	•	•	•	•	x
8.5" x 11" (L)	•	•	•	•	•	x
5.5" x 8.5" (P)	x	x	•	•	•	x
5.5" x 8.5" (L)	x	x	x	x	x	•

¹ Indicates the width of the widest document size of the mixed originals

² Indicates the document sizes that can be mixed together based on the maximum document width.

• Possible x Not Possible

STANDARD PAPER TRAY SUPPORT

MAIN UNIT - bizhub C361i/C301i/C251i (PAPER TRAY 1 AND 2)

Component	Capacity	Size	Weight
Tray 1	500 sheets	11" x 17"	14 lb. bond to 68 lb. bond
Tray 2	500 sheets	12" x 18"	14 lb. bond to 68 lb. bond
Bypass	150 sheets	12" x 18"	16 lb. bond to 79.75 lb. bond

PRINT CONTROLLER (STANDARD)

Type	Internal Type
CPU	1.6 GHz Quad Core Processor (shared with copier)
Memory	8 GB (shared with copier) 256 GB Solid State Drive (shared with copier)
Print Speed	C361i: 36 ppm Letter/portrait C301i: 30 ppm Letter/portrait C251i: 25 ppm Letter/portrait
Print Resolution	600 x 600 dpi (1800 equivalent x 600 dpi), 1200 x 1200 dpi
PDL	PCL 5e/c emulation, PCL6 (XL version 3.0), PS 3 (Version 3016) Emulation, XPS
Protocol	TCP/IP (IPv4/IPv6), BOOTP, ARP, ICMP, DHCP, DHCPv6, AutoIP, SLP, SNMP, FTP, LPR/ LPD, RAW Socket, SMB over TCIP/IP, IPP, HTTP, POP, SMTP, LDAP, NTP, SSL, IPX, AppleTalk, Bonjour, NetBEUI, WebDAV, DPWS, S/MIME, IPsec, DNS, Dynamic DNS, LLMNR, LLTD, SSDP, SOAP
Font	PCL Resident Fonts: 80 Roman fonts PS3 Emulation Resident Fonts: 137 Roman Type 1 fonts
Interface	Standard Ethernet (10Base-T/100Base-TX/1000Base T); Hi-Speed USB 2.0, USB 1.1, USB Host

NETWORK FUNCTIONS

Sending the Scanned Data in an Email Message	Scanned data can be sent to a specified Email address. The destination is specified from the touch panel of this machine and the scanned data is sent as an Email attachment.
Sending Scanned Data as Files (FTP)	The FTP server address, login password, and other information are entered from the touch panel of this machine. The data files uploaded to the FTP server can be downloaded from a computer on the network.
Sending Scanned Data to a Computer on the Network (SMB)	Scanned data can be sent to a shared folder on a specified computer. The name of the destination computer, login password, and other information are entered from the touch panel of this machine.
Saving Scanned Data in Boxes	Scanned data is uploaded to a specified web server. The host name, file path, user name, and password are entered on the touch panel of the machine. The data files uploaded to the server can be downloaded from a computer on the network.
Using the Machine as a Scanner	This machine can be used as a scanner. The scanner can be controlled from a PC connected to the network, and the scanned image can be loaded into an application on the PC to be processed.
Web Service (Standard)	This machine can be used to access the Internet.

PRINT DRIVERS

PCL 6 Drivers	Konica Minolta PCL Driver	Windows 10 Printer driver Windows 10/11 Server 2016/Server 2019/Server 2022 x64 Edition Printer driver
PostScript 3 Emulation	Konica Minolta PostScript 3 Driver	Windows 10 Printer driver Windows 10/11 Server2016/Server2019/Server 2022 x64 Edition Printer driver macOS 10.14/10.15/11/12/13 PPD+PDE Printer driver PPD file for Red Hat Enterprise Linux Printer driver (CUPS v1.1.22)
XPS Driver Emulation	Konica Minolta XPS Driver	Windows 10 Printer Driver Windows 10/11 Server 2016/Server 2019/Server 2022 x64 Edition Printer Driver
Fax Driver	Konica Minolta	Windows 10 PC FAX Driver Windows 10/11 Server 2016/Server 2019/Server 2022 x64 Edition PC FAX Driver

SCANNING FUNCTION

Type	Full-Color Scanner
Scanning Size	11" x 17" to 5.5" x 8.5"
Scanning Resolution	Push Scanning: 600/400/300/200 dpi Pull Scanning: 600/400/300/200/100 dpi
Scanning Speed	Duplex: up to 200 opm (200 dpi), up to 110 opm (600dpi) Simplex: up to 100 opm (200 dpi), up to 55 opm (600 dpi)
Main Function	Scan-to-Email, Scan-to-User Box (HDD), Scan-to-FTP, Scan-to-USB, Scan-to-SMB (Desktop Folder), Scan-to-Me, Scan-to-Home, Scan-to-Scan Server, Network Twain (via Ethernet TCP/IP), Scan-to-WebDAV, WS-Scan
Interface	10Base-T/100Base-TX/1000Base-T
Protocol	TCP/IP (FTP, SMB, SMTP)
Supported OS	Windows 10, Windows 10/11 x64 Edition
Output Format	Single TIFF, Multi TIFF, JPEG, PDF, Compact PDF, XPS, Compact XPS TIFF (MH, MMR), PDF (MH, MMR, JPEG), JPEG, Outline PDF, PPTX, Searchable PDF, PDF/A, Linearized PDF
Driver	Real Time TWAIN Driver, HDD TWAIN Driver
Address Setting	LDAP, Import/Export address from PageScope Web Connection
Authentication	SMTP Authentication, Network User Authentication (Active Directory, Novell, NDS, NTLM ver. 1, NTLM ver. 2, LDAP)

† Text and image scanning speeds vary depending on the type of document.

SOFTWARE TOOLS

Network & Device Management	Data Administrator Driver Packaging Utility Log Management Utility Net Care Device Manager (Standard)
User Tools	Direct Print Box Operator Print Status Notifier Copy Protection Utility Print Utility for Unix Web Connection
Management Tools	bizhub vCare

SECURITY

<p>Because information assets are critical, a company needs to effectively protect against the many security risks it faces.</p>	<ol style="list-style-type: none"> 1) Prevent Leaks of proprietary, confidential or personal information 2) Prevent unauthorized use of equipment 3) Effective data encryption 4) Protect data from being altered, duplicated or deleted 5) Prevent unauthorized access to data via the Internet 6) Protect against cyber attacks 7) Manage log history
<p>Protective Functions</p>	<ul style="list-style-type: none"> • Job Erase — Deletes Graphic Data (after each job) • Lock Job (when printing confidential documents) • Protect data by requiring department name and 8-digit password • Account Track • Prevent Unauthorized Use • Operation Log with 2,000-event memory • SSD Encryption • PDF Scan Encryption • Protective Functions • Copy Protection • Network Authentication • Single Sign-on Authentication • SMTP Authentication for Email • SSL/TLS Compatibility for PS Web Connection, PS Data Administrator and LDAP Server • Scan Data Encryption (TCP/socket SSL Compatibility) • LDAP Authentication • Box Operator Data Encryption • Verification of Box Data Receipt • IP Address Filtering • IP v6 • Encrypted Network Password Printing • Scan-to-USB Memory with User Authentication • Print-from-USB Memory with User Authentication • S/MIME/Encryption • FIPS 140-2 Compliance • IEEE 2600.1 Security Ready • ISO 15408 EAL (in evaluation)
<p>Optional Protective Functions</p>	<ul style="list-style-type: none"> • SC-509 Security Kit (Copy Guard/Password Copy Protection) • LK-116 BitDefender Antivirus • YSoft Card Reader • AU-204H Magnetic Stripe Card Reader • AU-205H Gen2 IC Card Reader • AU-211P CAC/PIV Solution with Certificate • HID Finger Print Reader 5300 (requires Advanced Authentication Manager)

PAPER CONSIDERATIONS

PAPER SIZE CONVERSION CHART

Paper	Letter	Letter R	Legal	Tabloid	Statement	Statement R
Measurement	8.5" x 11"	11" x 8.5"	8.5" x 14"	11" x 17"	5.5" x 8.5"	8.5" x 5.5"

PAPER WEIGHT CONVERSION CHART

gsm	Bond	Offset	Cover	Tag	Index	Point	Bristol	CALIPER	
								inches	mm
60.20	16	40	22	37	33	3.2	27.4	0.0032	0.081
67.72	18	45	24	41	37	3.6	30.9	0.0036	0.092
75.20	20	50	28	46	42	3.8	34.3	0.0038	0.097
90.30	24	60	33	56	50	4.8	41.2	0.0048	0.120
105.35	28	70	39	64	58	5.8	48.1	0.0058	0.147
109.11	29	73	40	62	60	6.0	49.8	0.0060	0.152
116.63	31	81	45	73	66	6.1	53.2	0.0061	0.155
131.68	35	90	48	80	74	6.2	60.1	0.0062	0.157
135.45	36	90	50	82	75	6.8	61.8	0.0068	0.173
146.73	39	100	54	90	81	7.2	67.0	0.0072	0.183
150.50	40	100	56	93	83	7.3	68.7	0.0073	0.185
161.78	43	110	60	100	90	7.4	73.8	0.0074	0.188
165.55	44	110	61	02	92	7.6	75.5	0.0076	0.193
176.83	47	120	65	108	97	8.0	80.7	0.0078	0.198
199.41	53	135	74	122	110	9.0	91.0	0.0085	0.216
203.17	54	137	75	125	113	9.0	92.7	0.0090	0.229
218.22	58	146	80	134	120	9.5	99.6	0.0092	0.234
244.56	65	165	90	150	135	10.0	111.6	0.0095	0.241
252.08	67	170	93	156	140	10.5	115.1	0.0100	0.250
270.90	72	183	100	166	150	11.0	123.7	0.0110	0.289
285.95	76	192	105	175	158	13.0	130.5	0.0130	0.330
308.52	82	208	114	189	170	14.0	140.8	0.0140	0.356
312.00	87	220	120	200	180	15.0	142.4	0.0150	0.380
385.06	105	267	146	244	220	18.0	175.8	0.0175	0.445

PAPER TYPE SPECIFICATIONS

Thin Paper	Paper weighing between 14 lb. to 15.5 lb. bond. It can be fed via any paper tray, except the bypass tray.
Normal (Plain Paper)	Normal paper is used for copying in general and is called "PPC paper." Specify [Normal] for the tray to which the normal paper or the recycled paper is loaded for copying.
Plain Paper +	Plain Paper + is paper weighing between 28.25 lb. and 28 lb.
Recycled Paper	Recycled Paper is identified as recycled paper along with a designation as to the percentage of the paper that is actually made from recycled materials. Generally speaking, these devices will support recycled paper weighing between 16 lb. to 24 lb. bond.
Thick Paper 1	Thick Paper 1 is paper weighing between 28.25 lb. to 32 lb. bond. It can be fed via any paper tray.
Thick Paper 1+	Thick Paper 1+ is paper weighing between 32.25 to 41.75 lb. bond. It can be fed via any paper tray.
Thick Paper 2	Thick Paper 2 is paper weighing between 42 to 55.5 lb. bond. It can be fed via any paper tray.
Thick Paper 3	Thick Paper 3 is paper weighing between 55.75 to 68 lb. bond. It can be fed via any paper tray.
Thick Paper 4	Thick Paper 4 is paper weighing between 68.25 to 79.75 lb. bond. It can be fed via the bypass tray.
Special Paper	A thin or other specialty type paper that falls within the paper weight specification and appears on the Recommended Paper Stock List.
OHP	Specify [OHP] to a tray to which transparent films are loaded. It can be fed only via the bypass tray (20 sheets or less). Black and white printing supported only.
Envelopes	Specify (Envelope) for bypass tray.
Postcards	A Postcard is defined as a rectangular piece of thick paper or thin cardboard. This product series supports 4" x 6" size postcards. Postcards are fed only via the Bypass Tray.
Tab Dividers	A stiff sheet with divider tabs. Tab Divider sheets can only be fed (long edge only) via the Bypass Tray.
Banner Paper	An 11.75" x 47.25" paper that is fed via the Bypass Tray to create banners.

PAPER TYPE SPECIFICATIONS CONT

Class.	Weight	Brand of Paper	Size
Plain Paper – Color			
Plain Paper	20 lb. Bond (75 gr)	Domtar Recycled Copy(30% Post Consumer)	8.5" x 11"
Plain Paper	22 lb. Bond(80 gr)	Konica Minolta CF Paper	8.5" X 11"
Plain Paper	22 lb. Bond(80 gr)	Konica Minolta CF Paper	11" X 17"
Plain Paper	22 lb. Bond(80 gr)	Konica Minolta CF Paper	12" X 18"
Plain Paper	24 lb. Bond (89 gr)	SMART Carnival Stellar White	8.5" x 11"
Plain Paper	24 lb. Bond (89 gr)	SMART Carnival White	8.5" x 11"
Plain Paper	24 lb. Bond (90 gr)	SMART Synergy Bond 25% Cotton	8.5" x 11"
Plain Paper	24 lb. Bond (90 gr)	Domtar Microprint Laser	8.5" x 11"
Plain Paper	24 lb. Bond (90 gr)	Mohawk Color Copy 98 Bright White	8.5" x 11"
Thick 1	28 lb. Bond(105 gr)	Konica Minolta CF Paper	8.5" X 11"
Thick 1	28 lb. Bond(105 gr)	Konica Minolta CF Paper	11" X 17"
Thick 1	28 lb. Bond (105 gr)	Konica Minolta CF Paper	12" X 18"
Thick 1	28 lb. Bond (105 gr)	Domtar Microprint Color Copy	8.5" x 11"
Thick 1	32 lb. Bond(120 gr)	Hammermill Color Copy	8.5" X 11"
Thick 1	32 lb. Bond (120 gr)	Hammermill Color Copy Paper – Photo White	8.5" x 11"
Thick 2	60 lb. Cover(163 gr)	Hammermill Color Copy	8.5" X 11"
Thick 3	80 lb. Cover(216 gr)	Hammermill Color Copy	8.5" X 11"
Thick 4	100 lb. Cover(271 gr)	Hammermill Color Copy	8.5" X 11"
Plain Paper – B & W			
Plain Paper	20 lb. Bond (75 gr)	Hammermill Tidal MP	8.5" X 11"
Single-Sided Glossy			
Thick 3	10 pt Cover (219 gr)	SMART Kromekote Laser High Gloss Coated One Side 10 pt Cover	8.5" x 11"
Thick 3	12 pt Cover (247 gr)	SMART Kromekote Laser High Gloss Coated One Side 12 pt Cover	8.5" x 11"
Double-Sided Glossy	Thick 1 32 lb. Bond (120 gr)	Mohawk Color Copy Gloss Pure White	8.5" x 11"
Thick 1	80 lb. Text (118 gr)	Sappi Opus Gloss	8.5" x 11"
Thick 1	90 lb. Text (133 gr)	SMART Kromekote Laser High Gloss Coated Two Sides*	8.5" x 11"
Thick 3	80 lb. Cover (216 gr)	Mohawk Color Copy Gloss Pure White	8.5" x 11"
Thick 3	80 lb. Cover (216 gr)	Sappi Opus Gloss Cover	8.5" x 11"

* Paper cannot be used in a high humidity environment.

RECOMMENDED PAPER STOCKS

Class.	Weight	Brand of Paper	Size
Double-Sided Glossy continued			
Thick 3	80 lb. Cover (216 gr)	Domtar Microprint Coated Laser Gloss Cover	8.5" x 11"
Thick 3	10 pt Cover (234 gr)	SMART Kromekote Laser High Gloss Coated Two Sides 10 pt Cover	8.5" x 11"
Thick 3	90 lb. Cover (237 gr)	SMART Kromekote® Plus C2S Cover	8.5" x 11"
Thick 4	100 lb. Cover (270 gr)	Mohawk Color Copy Gloss Pure White 100C	8.5" x 11"
Cover Stock			
Thick 2	60 lb. Cover (163 gr)	Domtar MicroprintColor Copy Cover	8.5" x 11"
Thick 2	65 lb. Cover (176 gr)	Domtar MicroprintColor Copy Cover	8.5" x 11"
Thick 3	80 lb. Cover (216 gr)	Domtar Microprint Coated Laser Matte Cover	8.5" x 11"
Thick 3	80 lb. Cover (216 gr)	Domtar Microprint Color Copy Cover	8.5" x 11"
Thick 3	80 lb. Cover (216 gr)	SMART Carnival White Cover	8.5" x 11"
Thick 3	140 lb. Index (255 gr)	Wausau Exact Index	8.5" x 11"
Thick 3	80 lb. Cover (216 gr)	Mohawk Color Copy 98 Bright White	8.5" x 11"
Thick 4	100 lb. Cover (270 gr)	Mohawk Color Copy 98 Bright White	8.5" x 11"
Labels			
Avery Dennison 5889 Postcard			8.5" x 11"
Avery Dennison 6870 (30 labels per sheet)			8.5" x 11"
Avery Dennison 6873 (8 labels per sheet)			8.5" x 11"
Avery Dennison 6876 (2 labels per sheet)			8.5" x 11"
Avery 6878 4-UP labels for Color Laser			8.5" x 11"
Envelopes			
Envelopes	24 lb	Preservation Wove 5789 #6 3/4	3.85" x 6.5" (98 x 165 mm)
Tab Dividers			
Avery Dennison 20406 (long edge only)			8.5" x 11"
Specialty Paper			
Thick 2	—	TECHNI-Print 9721PO* T-shirt Transfer Paper**	8.5" x 11"
Transparency			
OHP Sheets	—	3M-PP2500	8.5" x 11"
Banner Paper			
Banner Mode/ Thick 1	100 lb. Text (180 gr)	Konica Minolta Banner Paper	11.75" x 47.25"

* Paper cannot be used in a high humidity environment.

** T-Shirt Transfer Paper: The C651i/C551i/C451i Series should not be used solely for T-shirt transfer applications. T-Shirt transfer paper should be used on a limited basis, not to exceed a 250-sheet per run maximum. If a misfeed should occur, clear it immediately (due to the odor) and then run 15-25 sheets of regular plain paper (20 lb) through the device to clean the fusing rollers. T-Shirt Transfer paper cannot be used in high humidity environments.

IM-103 DETECTABLE PAPER TYPES

Paper Type	Paper Weight
Thin paper	13-13/16 lb to 15-11/16 lb (52 g/m ² to 59 g/m ²)
Plain paper	15-15/16 lb to 23-15/16 lb
Recycled paper	(60 g/m ² to 90 g/m ²)
Colored paper	
Plain paper+	24-3/16 lb to 27-15/16 lb (91 g/m ² to 105 g/m ²)
Thick 1	28-3/16 lb to 31-15/16 lb (106 g/m ² to 120 g/m ²)
Thick 1+	32-3/16 lb to 41-3/4 lb (121 g/m ² to 157 g/m ²)
Thick 2	42 lb to 55-5/8 lb (158 g/m ² to 209 g/m ²)
Thick 3	55-7/8 lb to 68-1/8 lb (210 g/m ² to 256 g/m ²)
Transparency	—
Envelope	—
Thick 4	68-3/8 lb to 79-13/16 lb (257 g/m ² to 300 g/m ²)
User Paper 7 (Coated paper)	42 lb to 55-5/8 lb 158 g/m ² to 209 g/m ²)



HOW TO BUILD A SYSTEM FOR THE bizhub C361i/C301i/C251i DIGITAL PRINTER/COPIER/SCANNER/FAX (FROM START TO FINISH)

STEP 1: BASE UNIT

- C361i/C301i/C251i Digital Printer/Copier/Scanner includes PS, PCL & XPS Controller, 8GB Standard Memory, Duplex Unit, 250GB SSD, Dual Scan Document Feeder (Optional), Web Browser, USB Interfaces for Scan-to-USB Thumb Drive/Print-from-USB Thumb Drive, USB Local Printing, Optional Authentication Device Connection, Service USB Firmware Updates, Developer Units, Black Drum Unit

STEP 2: DOCUMENT HANDLING

- UK-501 Multi-Feed Detection Kit (Standard)
- DF-714 Single Pass Dual Scan Document Feeder (Optional)
- DF-632 Reversing Automatic Document Feeder
- OC-511 Original Cover

STEP 3: PAPER SUPPLY/CABINET OPTIONS (SELECT ONE OF THE FOLLOWING)

- PC-417 Large Capacity Cassette (2,500 sheets-Letter of 5.35" x 8.5")
- PC-416 Large Capacity Cassette (2,500 sheets - Letter crosswise only)
- PC-216 2-way Paper Feed Cassette (Two 500-sheet Universal Cassettes)
- PC-116 Paper Feed Cassette (One 500-sheet Universal Cassette; Includes 1 storage drawer)
- DK-516 Copy Desk (Storage Drawer Only)
- LU-302 Large Capacity Unit (Not required) (3,000 sheets/letter only)

STEP 4: OUTPUT OPTIONS:

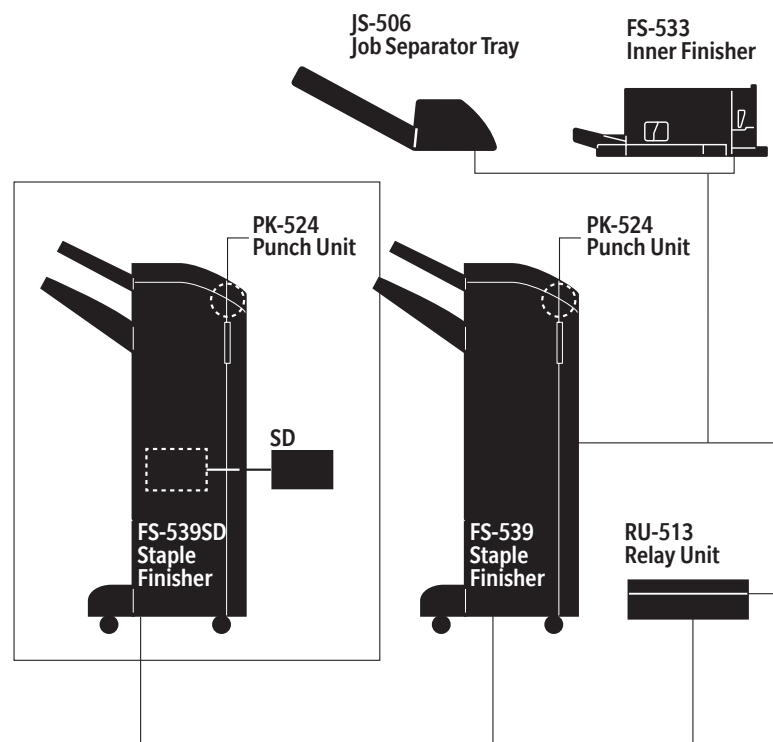
- JS-506 Job Separator Tray
- FS-539 Floor Finisher (50-sheet stapling)
- PK-519 Punch Kit (for FS-536)
- FS-539 SD Staple Finisher (50 Sheets)
- RU-513 Relay Unit (Required to install FS-539 SD)
- PK-524 Punch Kit
- FS-539 SD Staple Finisher (50 Sheets) + Saddle Stitcher Kit
- RU-513 Relay Unit (Required to install FS-539 SD)
- PK-524 Punch Kit (for FS-539/FS-539SD)
- OT-513 Output Tray (Standard)
- FS-P04 Off-line Stapler

STEP 5: ANALOG FAX OPTIONS

- FK-514 Fax Kit (Lines 1 & 2)
- FK-515 Fax Kit (Lines 3 & 4) (Requires one MK-742 Mount Kit)
- MK-742 Mount Kit (Required to add FK-515 Fax Kit(s) for Lines 3 & 4)
- SP-501 Stamp Unit (Installed in Standard Document Feeder)
- Spare TX Marker Stamp 2

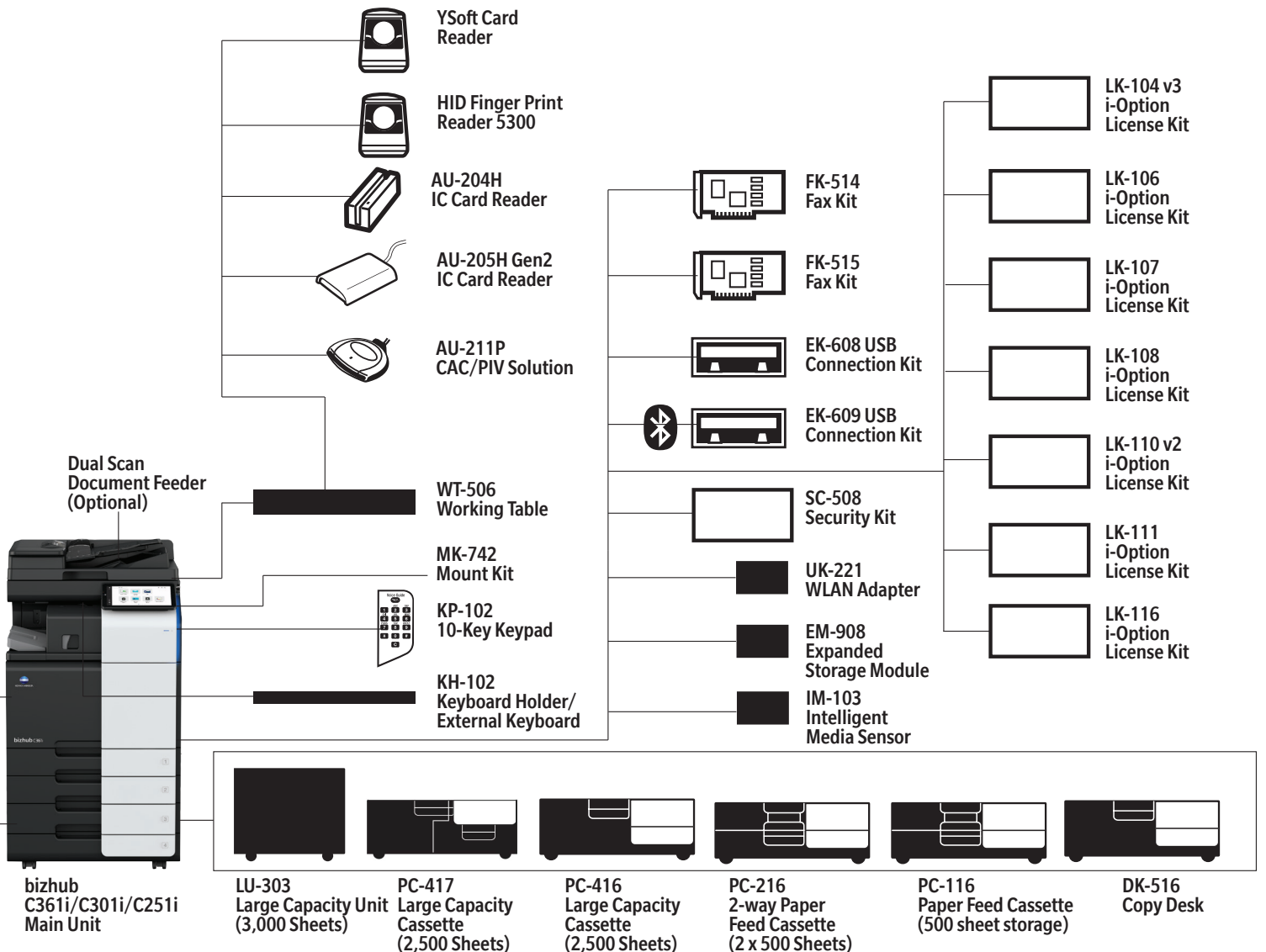
STEP 6: CONTROLLER OPTIONS

- Standard Emperon™ Controller (PCL/PS/XPS)
- IC-420 Fiery Image Controller
- VI-516 Interface Kit (Required for IC-420)
- UK-115 Fiery Image Controller Mount Kit



STEP 7: ADDITIONAL OPTIONS

- HID Finger Print Reader 5300 (Requires WT-506 Working Table)
- AU-204H Magnetic Stripe Card Reader (Requires WT-506 Working Table)
- YSoft MFX Card Reader (Requires WT-506 Working Table or MK-735 Mount Kit)
- AU-205H Gen2 IC Card Reader (Requires WT-506 Working Table or MK-735 Mount Kit)
- AU-211 PCAC/PIV Solution (Requires WT-506 Working Table)
- EK-608 USB Connection Kit (Adds USB 2.0 for External Keyboard and/or Voice Guidance)
- EK-609 USB Connection Kit (Adds USB 2.0 for External Keyboard, Bluetooth® connectivity and/or Voice Guidance)
- IM-103 Intelligent Media Sensor
- External Keyboard (Requires KH-102)
- KH-102 Keyboard Holder
- LK-104 v3 i-Option License Kit (Voice Guidance, Requires EK-608 or EK-609)
- LK-106 i-Option License Kit (Bar Code Font Printing)
- LK-107 i-Option License Kit (Unicode Font Printing)
- LK-108 i-Option License Kit (OCR Font Printing)
- LK-110 v2 i-Option License Kit (OOXML file conversion, Enhanced Image Data, Combines LK-102 & LK-105 functionality)
- LK-111 i-Option License Kit (ThinPrint Client Support)
- LK-116 i-Option License Kit (BitDefender® Anti-Virus)
- MK-730 Mount Kit (for AU-205H)
- SC-509 Security Kit (Copy Guard/ Password Copy Protection, 2 Kits required per device)
- UK-221 WLAN Adapter
- WT-506 Working Table



bizhub C361i/C301i/C251i Main Unit

LU-303 Large Capacity Unit (3,000 Sheets)

PC-417 Large Capacity Cassette (2,500 Sheets)

PC-416 Large Capacity Cassette (2,500 Sheets)

PC-216 2-way Paper Feed Cassette (2 x 500 Sheets)

PC-116 Paper Feed Cassette (500 sheet storage)

DK-516 Copy Desk

ACCESSORY OPTIONS FOR bizhub C361i/C301i/C251i DIGITAL COLOR PRINTER/COPIER/SCANNER/FAX

ACCESSORIES	ITEM NO.	DESCRIPTION	NOTES
BASE UNIT			
C361i/C301i/ C251i	C361i: ADXJ013 C301i: ADXK013 C251i: ADXM013	C361i/C301i/C251i Printer/Copier/Scanner	C361i/C301i/C251i Printer/Copier/Scanner Includes PS, PCL & XPS Controller, Standard Web Browser, 8 GB Standard Memory, Duplex Unit, 256 GB SSD, USB Interfaces for Scan-to-USB Thumb Drive/Print-from-USB Thumb Drive, USB Local Printing, Optional Authentication Device Connection, Service USB Firmware Updates, Developer Unit, and Black Drum Unit.
DOCUMENT HANDLING OPTIONS			
OC-511	A3PMWY1	Original Cover	Required if DF-632 or DF-714 is not installed
DF-632	AAYHWY1	Reversing Automatic Document Feeder	100-Sheet Reversing Automatic Document Feeder
DF-714	AAMNWY1	Single Pass Dual Scan Document Feeder	100-Sheet Single Pass Dual Scan Document Feeder
PAPER SUPPLY/CABINET OPTIONS			
LU-302	A87VW12	Large Capacity Unit (3,000 sheets)	Large Capacity Cassette housing 8.5" x 11" paper
PC-417	AAV5016	Large Capacity Cassette (2,500 sheets)	2,500 sheets; Letter-size (portrait) or 5.5" x 8.5" paper
PC-416	AAV5013	Large Capacity Cassette (2,500 sheets)	2,500 sheets; Letter-Size (Portrait) Paper only
PC-216	AAV5WY2	2-way Paper Feed Cabinet	Two 500-sheet Universal Paper Cassettes
PC-116	AAV5WY1	Paper Feed Cabinet	One 500-sheet Universal Paper Cassette and Storage Drawer
DK-516	135700	Copy Desk	Storage Drawer only.
OUTPUT OPTIONS			
FS-533	A2YUWY2	Inner Finisher	50-sheet Inner Staple Finisher required to support PK-519 Punch Kit. Supports banner printing. Requires MK-607 for installation on 550i or 450i. Not compatible with 650i.
FS-539	AAR4WY3	Floor Finisher	50-sheet floor finisher required to support PK-524 Punch Kit. Supports banner printing. RU-513 required. Includes off-line staple function.
FS-539SD	AAR4WYE	Floor Finisher + Saddle Stitcher Unit	50-sheet floor finisher equipped with Saddle Stitcher that provides center-stapled and folded booklets (up to 20-page booklet(s), half-fold and tri-fold (for letter-size paper only)); Supports banner paper, Includes off-line staple function
JS-506	A2YVWY2	Job Separator Tray	Separates print, copy and fax jobs; can be installed if finisher is not attached; supports banner printing
PK-519	A3EUW12	2/3-hole Punch Kit for FS-533	2/3-hole Punch Kit for FS-539 and FS-539SD.
PK-524	AC28W11	2/3-hole Punch Kit for FS-539	2/3-hole Punch Kit for FS-539 and FS-539SD.
RU-513	A87JWY5	Relay Unit	Required for FS-539, FS-539SD, FS-540 and FS-540SD.
FS-P04	ACCGWY2	Stapler	Provides 20-sheet corner stapling off-line finisher.
CONTROLLER OPTIONS			
IC-420	ACDEWY1	Fiery Image Controller	Requires Fiery Controller Interface Kit VI-516 and UK-115 Upgrade Kit.
UK-115	ACDFWY1	Fiery Image Controller Mount Kit	Required to install IC-420 in C450i, C361i, C301i or C251i.
VI-516	ACDHWY1	Fiery Controller Interface	Interface Kit required for IC-420 Fiery Image Controller.
ES-3000	45202146	Spectrophotometer	Provides color measurement for calibration of IC-420.
ANALOG FAX OPTIONS			
FK-514	A883012	Fax Kit for Lines 1 & 2	Supports single line fax capabilities; Add second FK-514 Fax Kit for dual line fax capabilities.
FK-515	A884W11	Fax Kit for Lines 3 & 4	Supports third and fourth fax line capabilities; Must have two (2) FK-514 Fax Kits for 1 st and 2 nd Fax Lines; Add one FK-515 Fax Kit(s) for Line 3 and a second FK-515 for line 4. One MK-742 Mount Kit required.
MK-742	A886WY1	FK-515 Fax Mount Kit	Mount Kit required to add K-515 Fax Kit(s) or Line 3 and Line 4 fax support. Only one MK-742 Mount Kit required.
SP-501	4614506	Stamp Unit	Installed on DSDF
Spare Fax Stamp	4614511	Spare TX Marker Stamp 2	Installed on DSDF
CONTROLLER OPTIONS			
IC-420	ACDEWY1	Fiery Image Controller	Requires Fiery Controller Interface Kit VI-516. Also requires UK-115 Upgrade Kit
UK-115	ACDFWY1	Fiery Image Controller Mount Kit	Required to install IC-420 in C450i, C361i, C301i or C251i
VI-516	ACDHWY1	Fiery Controller Interface	Interface Kit required for IC-420 Fiery Image Controller
ES-3000	45202146	Spectrophotometer	Provides color measurement for calibration of IC-420

ACCESSORY OPTIONS FOR bizhub C361i/C301i/C251i DIGITAL COLOR PRINTER/COPIER/SCANNER/FAX CONT

ACCESSORIES	ITEM NO.	DESCRIPTION	NOTES
ADDITIONAL OPTIONS			
HID5300	50019001102KM	HID Finger Print Reader 5300	Scans finger vein patterns to enable users to gain access to the device. Requires WT-506 or WT-519 Working Table.
YSOFT	YSQBK0030741E	YSOFT KM MFX READER 1DEV (4000+)	
AU-204H	7640013468	Magnetic Stripe Card Reader	Allows authorized access to the MFP using Magnetic Stripe Cards. Requires WT-506 or WT-519 Working Table.
AU-205H	R5427000136466	IC Card Reader	Allows access to the MFP via HID Proximity Cards. Working table recommended. Supports IC card types.
AU-211P	—	CAC/PIV Solution with Certificate	Requires WT-506 or WT-519 Working Table. Contact your local Government Account Manager for information.
EK-608	A88AWY2	Local USB Interface Kit	Required to connect optional external keyboard, and supports Voice Guidance functions available with optional LK-104 v3.
EK-609	A87DWY2	Local USB Interface Kit	Required to connect optional external keyboard, provides Bluetooth connectivity support for mobile phone link and supports Voice Guidance functions available with optional LK-104 v3.
EM-908	ACDJWY1	Solid State Drive	Provides additional 1 TB storage.
IM-103	AEEXWY1	Paper Type Detection Kit	Sensor detects correct paper type automatically.
LK-104 v3	A0PD117	i-Option License Kit	Provides Voice Guidance functionality. Requires EK-608 or EK-609.
LK-106	A0PD119	i-Option License Kit	Provides Bar Code Font printing support.
LK-107	A0PD11F	i-Option License Kit	Provides Unicode Font printing support.
LK-108	A0PD11G	i-Option License Kit	Provides OCR Font printing support.
LK-110 v2	A0PD11U	i-Option License Kit	Provides DOCX, XLSX format file conversion, Fax to searchable PDF, convert print data in box to compact PDF, combines LK-102 (encrypted PDF) & LK-105 (Searchable PDF/OCR) functionality.
LK-111	A0PD11K	i-Option License Kit	Provides ThinPrint client support.
LK-116	A0PDA11	i-Option License Kit	BitDefender® antivirus provides real time scanning of all incoming and outgoing data.
MK-730	A4MEWY2	Banner Paper Guide	Enables automatic feeding of banner paper. Up to 10 banner sheets supported.
MK-735	A4NMWY1	Mount Kit	Internal Mount Kit for AU-205H. Required if these card readers are not mounted externally using the WT-506.
External Keyboard	G844100LCMUS2	External Keyboard	Computer type keyboard for alphanumeric data entry (alternative to the standard QWERTY keyboard available on the MFP's LCD). Either EK-608 or EK-609 recommended.
KH-102	A4NRWY3	Keyboard Holder	Holds the optional QWERTY keyboard in place on the MFP.
KP-102	AACJWY1	10-Key Pad	Optional 10 Key Pad. Supports Voice Guidance function available with optional LK-104 v3 i-Option License Kit. Affixes to the right-hand side of the control panel.
SC-509	ACDKWY1	Security Kit (Copy Guard/Password Copy Protection)	Detects documents with Copy Protect patterns applied. Gives users the option to prevent copying sensitive documents or allows copying when password is entered. Dual Scan models require two SC-509 Security Kits.
UK-221	ACDMWY2	Wireless LAN Upgrade Kit	Provides wireless secure connection for printing, scanning and Authentication.
WT-506	A0W4WY4	Working Table	Required for AU-205H Gen2 or YSoft Card Reader (if not mounted via MK-735); Biometric Authentication Unit/AAM (Advanced Authentication Manager) requires WT-506 Working Table

ACCESSORY OPTIONS FOR bizhub C361i/C301i/C251i DIGITAL COLOR PRINTER/COPIER/SCANNER/FAX CON'T

Consumable Yields*

*Based on 5% total coverage

CONSUMABLE	ITEM NO.	YIELD
DV-315K Developing Unit-Black	AAV703D	1,000,000
DV-315Y Developing Unit-Yellow	AAV708D	1,000,000
DV-315M Developing Unit-Magenta	AAV70ED	1,000,000
DV-315C Developing Unit-Cyan	AAV70KD	1,000,000
DR316K Drum-Black	AAV70RD	C361i: 225,000 C301i: 225,000 C251i: 170,000
DR-316 Drum-Cyan/Magenta/Yellow	AAV70TD	C361i: 105,000 C301i: 90,000 C251i: 62,000
TN328K Black Toner	AAV8130	28,000
TN328Y Yellow Toner	AAV8230	28,000
TN328M Magenta Toner	AAV8330	28,000
TN328C Cyan Toner	AAV8430	28,000
Waste Toner Box	AD1Y0Y1	44,000
Fusing Unit	See Service Manual	800,000
Intermediate Image Transfer Kit	See Service Manual	330,000
Staples SK-602 (For FS-539, FS-539SD, FS-533, and Saddle Stitch Section of FS-540SD)	14YK	5,000 x 3 pkg/case

For complete information on Konica Minolta products and solutions,
please visit: [CountOnKonicaMinolta.com](https://www.CountOnKonicaMinolta.com)

© 2024 KONICA MINOLTA BUSINESS SOLUTIONS U.S.A., INC. All rights reserved. Reproduction in whole or in part without written permission is prohibited. KONICA MINOLTA, the KONICA MINOLTA logo and bizhub are registered trademarks or trademarks of KONICA MINOLTA, INC. All other product and brand names are trademarks or registered trademarks of their respective companies or organizations. All features and functions described here may not be available on some products. Design & specifications are subject to change without notice.



KONICA MINOLTA

KONICA MINOLTA BUSINESS SOLUTIONS U.S.A., INC.
100 Williams Drive, Ramsey, New Jersey 07446

[CountOnKonicaMinolta.com](https://www.CountOnKonicaMinolta.com)



Item #: C361ISERIESSIG
5/2024-Z